



Latching Relay

REC J95 SERIES

FEATURES

- Latching Relay
- 1PDT,IPST
- Small SIZE,PC Board
- Plastic type,solder type
- Dimension:19.5× 15.4×15mm



ORDERING INFORMATION

J95 A — S 12

1 2 3 4

1. Type
2. Contact Arrangement
Nil: 1 Form C
A : 1 Form A
3. S:One Coil(0.36W)
D:Twin Coil(0.45W)
- 4.Coil Nominal Voltage

CONTACT RATING

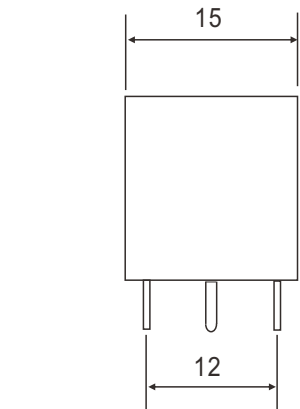
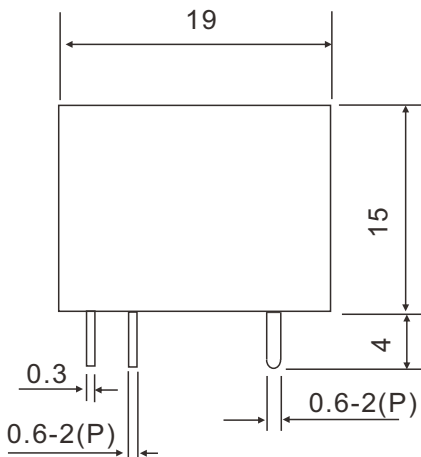
1 FORM A	AC 250V / 10 A	DC 28V / 10 A
1 FORM C	AC 250V / 10 A	DC 28V / 10 A

COIL DATA(0.36W,0.45W at 25°C)

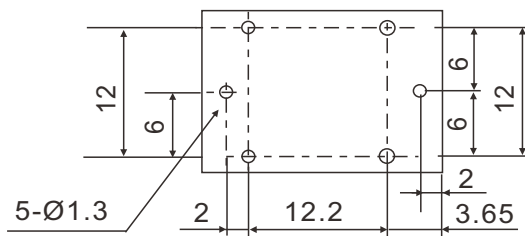
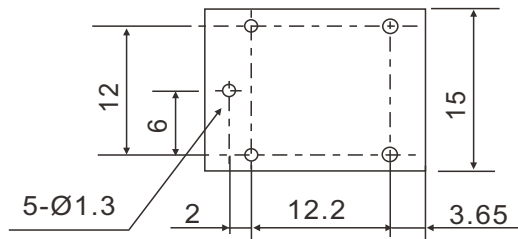
Coil Nominal Voltage (VDC)	Resistance Tol.±10% (Ohms)		Maximum Pick Up Voltage (V)	Minimum Drop Out Voltage (V)
	0.36W	0.45W		
5	70	55	3.8	0.5
6	100	80	4.5	0.6
9	225	180	6.8	0.9
12	400	320	9.0	1.2
18	900	720	13.5	1.8
24	1600	1280	18	2.4

RAYEX ELEC.ISSUED RECOY INT'L.

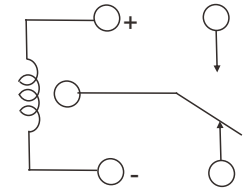
DIMENSIONS(±0.2mm)



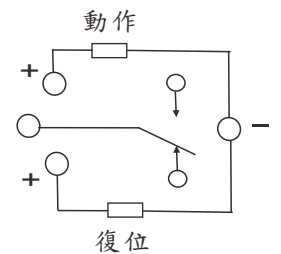
P.C.B LAYOUT (BOTTOM VIEW)



WIRING DIAGRAM



One Coil



Twin Coil

GENERAL DATA

Insulation Resistance	1,00 MΩ Min. (DC 500V)
Dielectric Strength	750 VAC, 50/60Hz between contact.
	1,500 VAC, 50/60Hz between all elements.
Contact Material	Ag Alloy
Contact Resistance	100 milliohms max. (initial value)
Shock Resistance	Malfunction: 10G(100m/s) ; Destructive: 100G(1000ms)
Vibration Resistance	Destructive: 10 to 55 Hz. at Double Amplitude of 1.5 mm
Operation Time	10 ms max.
Release Time	5 ms max.
Temperature Range	- 40°C ~ + 85°C
Expected Life	With operation rate 30/min.
	Mechanical - 10,000,000 operations min. Electrical - 100,000 operations min. at rated load.
Weight	10 grams