



REC

L902 SERIES

FEATURES

- UL, CUL approved
- 1A (1PST) and 1C (1PDT) contact form
- Up to 30A switching capacity in 1PST and 20A switching in 1PDT arrangement.
- Using at home appliance, power switching appliances, car controller, heating, ventilating, and conditioning systems, etc.



UL FILE NO. : E510886
 CUL FILE NO. : E510886
 TUV FILE NO. : R50433377

ORDERING INFORMATION

L902 A — 12 A L
 1 2 3 4 5

- | | |
|---|--|
| <p>1. Type
L902 : Double Connect Type2
(PCB Terminal and Quick Connect Terminal)</p> <p>2. Contact Arrangement
Nil : 1 Form C(1PDT)
A : 1 Form A(1PST-NO)
B : 1 From B(1PST-NC)</p> | <p>3. Coil Nominal Voltage</p> <p>4. Coil Nominal Voltage Type
D : DC
A : AC</p> <p>5.Contact Rating
Nil : 30A(UL/TUV)
L : 40A
T : 20A</p> |
|---|--|

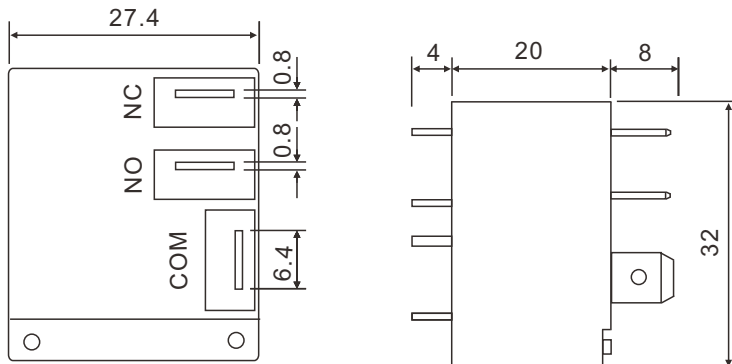
COIL DATA(at 25°C)

DC 0.93 W				AC 1.2 VA			
Coil Nominal Voltage (VDC)	Resistance Tol. ±10% (Ohms)	Maximum Pick Up Voltage (V)	Minimum Drop Out Voltage (V)	Coil Nominal Voltage (50/60Hz)	Resistance Tol. ±10% (Ohms)	Maximum Pick Up Voltage (V)	Minimum Drop Out Voltage (V)
5	27	3.75	0.5	6	10	5.1	0.6
6	40	4.5	0.6	12	43	10.2	1.2
9	97	6.75	0.9	24	160	20.4	2.4
12	155	9.0	1.2	110	3,160	93.5	11.0
18	380	13.5	1.8	220	13,490	187.0	22.0
24	660	18.0	2.4				
48	2,560	36.0	4.8				

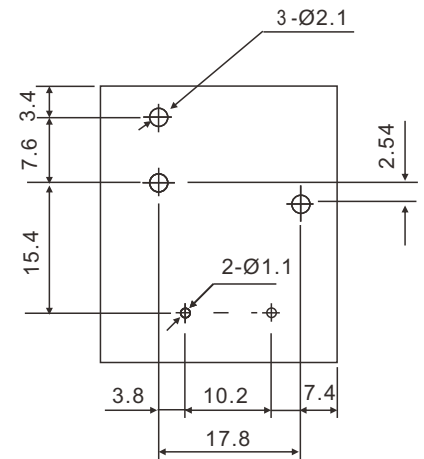
CONTACT RATING

1 A(1PST-NO)	Resistive (Cos.θ = 1)	AC 240V /DC28V	30A
1 B(1PST-NC)	Resistive (Cos.θ = 1)	AC 240V /DC28V	15A
1C(1PDT)	Resistive (Cos.θ = 1)	AC 240V /DC28V	NC:20A/NO:30A
L:1C(1PDT)	Resistive (Cos.θ = 1)	AC 240V/ DC 30V	NC:30A/NO:40A
T:1C(1PDT)	Resistive (Cos.θ = 1)	AC 240V/ DC 30V	NC:20A/NO:30A

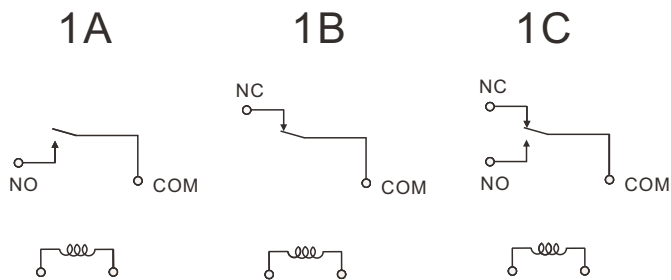
DIMENSIONS(±0.2mm)



P.C.B LAYOUT
(BOTTOM VIEW)



WIRING DIAGRAM(BOTTOM VIEW)



GENERAL DATA

Insulation Resistance	100 MΩ Min. (DC 500V)
Dielectric Strength	1,500 VAC, 50/60Hz between contact.
	2,000 VAC, 50/60Hz between all elements.
Contact Material	Ag Alloy.
Contact Resistance	50 milliohms max. (initial value)
Shock Resistance	Malfunction: 10G(11ms) ; Destructive: 100G(6ms)
Vibration Resistance	Malfunction: 10 to 55 Hz. at Double Amplitude of 1.5 mm
	Destructive: 10 to 55 Hz. at Double Amplitude of 1.5 mm
Operation Time	15 ms max.
Release Time	10 ms max.
Temperature Range	- 40°C ~ + 85°C
Expected Life	With operation rate 30/min.
	Mechanical - 10,000,000 operations min.
	Nil type Electrical - 100,000 operations min. at rated load. T type Electrical - 70,000 operations min. at rated load.
Weight	32 grams